

ELLISSE PENDANT TRIPLE

Federico Palazzari

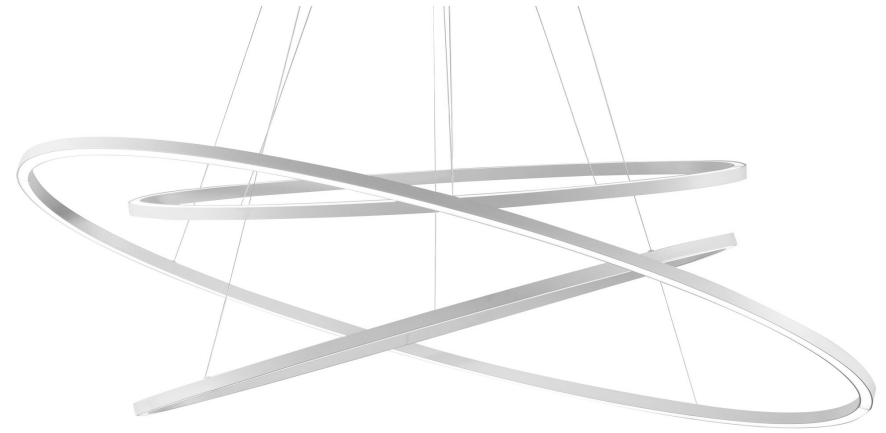
Collection of LED pendants, floor/wall lamps available in different versions: major, minor, double, triple and mega provides a direct or indirect diffused light.

In extruded aluminum in different versions: matt lacquered in the finishes, white, black and gold, natural polished and gold polished anodized.

Equipped with an opal diffuser.

The lamps are made using a proprietary extrusion coupling technology.

Ellisse Major is also available as floor or wall versions and is provided with a black marble base or a wall hook accessory.



LED 2700K

LAMPING

| | |
|-------------------|---|
| Source | linear LED |
| Total power | 90W |
| Emission | diffused orientable uplight(minor), diffused orientable downlight (major/minor) |
| Switching | dimnable 1-10V |
| Tension | 110/240V |
| Color temperature | 2700K |
| Luminous flux | 1325+2050+1325lm |
| Typ CRI | 85 |
| Energy class | A+ |
| Materials | Aluminium |
| Notes | adjustable cable length from 2,5 to 0,4 m, DALI version on request |
| Net lamp weight | 5 kg |

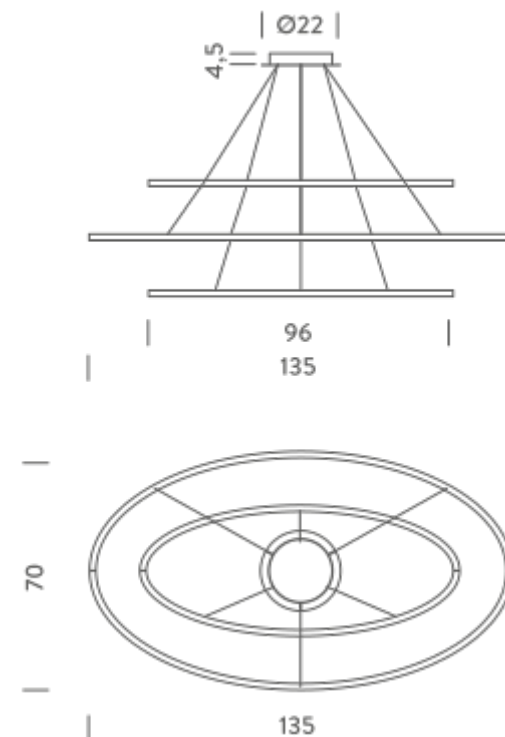
Codes

| | |
|------------|------------------------------|
| ELP LW2 57 | white/white |
| ELP LN2 57 | black/white |
| ELP LL2 57 | polished aluminium/white |
| ELP LO2 57 | gold painted/white |
| ELP LGW 57 | gold polished anodized/white |

PACKAGE

| | |
|------------|--|
| Package 01 | Dimension: 80x150x15 cm / Gross weight: 7,5 kg |
|------------|--|

Certificazioni



LED 3000K

LAMPING

| | |
|-------------------|---|
| Source | linear LED |
| Total power | 90W |
| Emission | diffused orientable uplight(minor), diffused orientable downlight (major/minor) |
| Switching | dimnable 1-10V |
| Tension | 110/240V |
| Color temperature | 3000K |
| Luminous flux | 1325+2050+1325lm |
| Typ CRI | 85 |
| Energy class | A+ |
| Materials | Aluminium |
| Notes | adjustable cable length from 2,5 to 0,4 m, DALI version on request |
| Net lamp weight | 5 kg |

Codes

ELP LWW 57
ELP LNW 57
ELP LLW 57
ELP LOW 57

Structure/Diffuser

white/white
black/white
polished aluminium/white
gold painted/white

PACKAGE

Package 01 Dimension: 15x80x150 cm / Gross weight: 7,5 kg

Certificazioni

