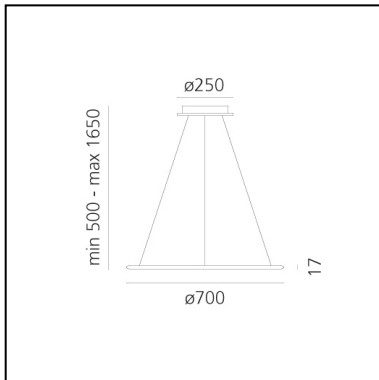


# Discovery Suspension - Bronze

Ernesto Gismondi



IP20    Dimmerable: 



## LUMINAIRE

- Watt: **40W**
- Voltage: **220-240V**
- Delivered lumens output: **2857lm**
- CCT: **3000K**
- Efficiency: **55%**
- Efficacy: **71.44lm/W**
- CRI: **90**
- Dimmable Typology: **Push/DALI**

## Notes

## DESCRIPTION

Discovery is an unobtrusive, utterly absent and immaterial element. Its volume is only perceived when switched on, thanks to the light that outlines the central emitting surface. The result is a uniform light, ideal for working environments. The company's great optoelectronic skills, combined with a thorough culture of design and with technological know-how, produces a perfectly all-purpose and surprising solution, which translates innovation into emotional perception.

**PRODUCT CODE: 1999160A**

## FEATURES

- Article Code: **1999160A**
- Colour: **Bronze**
- Installation: **Suspension**
- Material: **Technopolymer, aluminium**
- Series: **Design Collection**
- Environment: **Indoor**
- design by: **Ernesto Gismondi**

## DIMENSIONS

- Height: **cm 1.7**
- Diameter: **cm 70**
- Base Diameter: **cm 25**
- Max Height from ceiling: **cm 165**
- Glow Wire Test: **650°**

## SOURCES INCLUDED

- Category: **Led**
- Number: **7**
- Watt: **5.4W**
- Delivered lumens output: **648lm**
- Color temperature (K): **3000K**
- CRI: **90**
- Color Tolerance: **MacAdam 3SDCM**
- Efficacy: **120lm/W**
- Service Life: **50000-L70**